

BAW100  
BAW100G

**SURFACE MOUNT  
DUAL, ISOLATED HIGH SPEED  
SILICON SWITCHING DIODES**



[www.centrasemi.com](http://www.centrasemi.com)

**DESCRIPTION:**

The CENTRAL SEMICONDUCTOR BAW100 and BAW100G each consist of two electrically isolated high speed silicon switching diodes packaged in an epoxy molded SOT-143 surface mount case. This device is designed for high speed switching applications.

- The BAW100G is **Halogen Free** by design.

**MARKING CODES:**

**BAW100: CJSS**  
**BAW100G: CJSJ**



**MAXIMUM RATINGS:** (T<sub>A</sub>=25°C)

Continuous Reverse Voltage
Peak Repetitive Reverse Voltage
Continuous Forward Current
Peak Repetitive Forward Current
Peak Forward Surge Current, tp=1.0ms
Peak Forward Surge Current, tp=1.0ms
Peak Forward Surge Current, tp=1.0s
Power Dissipation
Operating and Storage Junction Temperature
Thermal Resistance

**SYMBOL**

V <sub>R</sub>	75
V <sub>R</sub> RM	85
I <sub>F</sub>	250
I <sub>F</sub> RM	500
I <sub>F</sub> SM	4.0
I <sub>F</sub> SM	2.0
I <sub>F</sub> SM	1.0
P <sub>D</sub>	350
T <sub>J</sub> , T <sub>stg</sub>	-65 to +150
θ <sub>JA</sub>	357

**UNITS**

V
V
mA
mA
A
A
A
mW
°C
°C/W

**ELECTRICAL CHARACTERISTICS PER DIODE:** (T<sub>A</sub>=25°C unless otherwise noted)

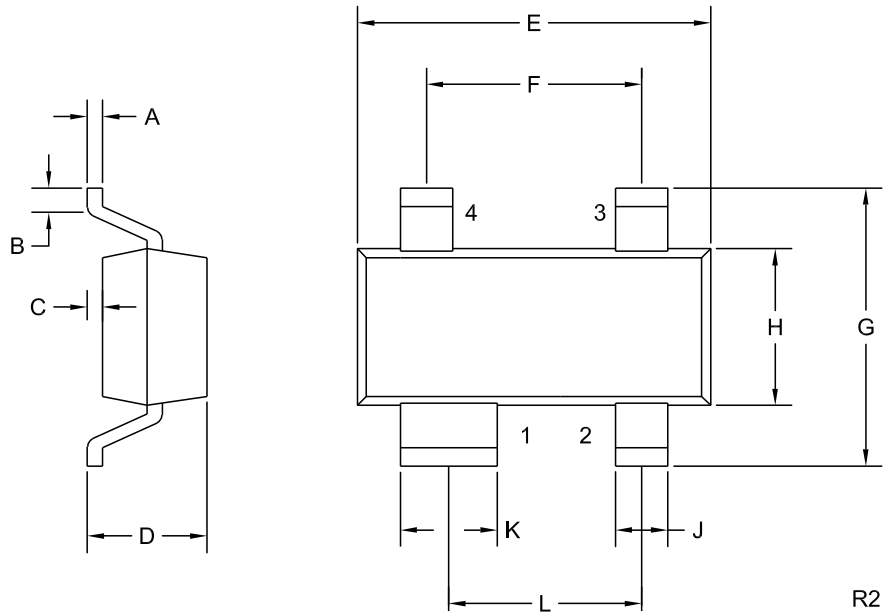
SYMBOL	TEST CONDITIONS	MIN	MAX	UNITS
I <sub>R</sub>	V <sub>R</sub> =25V, T <sub>A</sub> =150°C		30	μA
I <sub>R</sub>	V <sub>R</sub> =75V		1.0	μA
I <sub>R</sub>	V <sub>R</sub> =75V, T <sub>A</sub> =150°C		50	μA
BV <sub>R</sub>	I <sub>R</sub> =100μA	85		V
V <sub>F</sub>	I <sub>F</sub> =1.0mA		715	mV
V <sub>F</sub>	I <sub>F</sub> =10mA		855	mV
V <sub>F</sub>	I <sub>F</sub> =50mA		1.00	V
V <sub>F</sub>	I <sub>F</sub> =150mA		1.25	V
C <sub>T</sub>	V <sub>R</sub> =0, f=1.0MHz		2.0	pF
t <sub>rr</sub>	I <sub>F</sub> =I <sub>R</sub> =10mA, R <sub>L</sub> =100Ω, Rec. to 1.0mA		6.0	ns

BAW100  
BAW100G

SURFACE MOUNT  
DUAL, ISOLATED HIGH SPEED  
SILICON SWITCHING DIODES

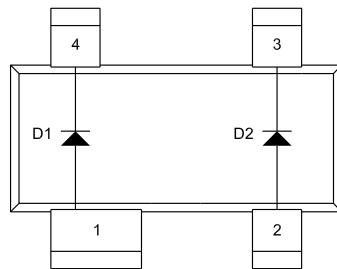


SOT-143 CASE - MECHANICAL OUTLINE



R2

PIN CONFIGURATION



LEAD CODE:

- 1) ANODE D1
- 2) ANODE D2
- 3) CATHODE D2
- 4) CATHODE D1

SYMBOL	DIMENSIONS			
	INCHES		MILLIMETERS	
	MIN	MAX	MIN	MAX
A	0.003	0.006	0.08	0.15
B	0.006	-	0.15	-
C	-	0.005	-	0.13
D	-	0.045	-	1.14
E	0.110	0.120	2.79	3.04
F	0.075		1.90	
G	-	0.098	-	2.50
H	0.047	0.055	1.19	1.40
J	0.014	0.020	0.36	0.50
K	0.030	0.037	0.76	0.93
L	0.067		1.70	

SOT-143 (REV: R2)

MARKING CODES:

BAW100: CJSS  
BAW100G: CJSG

R4 (20-November 2009)